

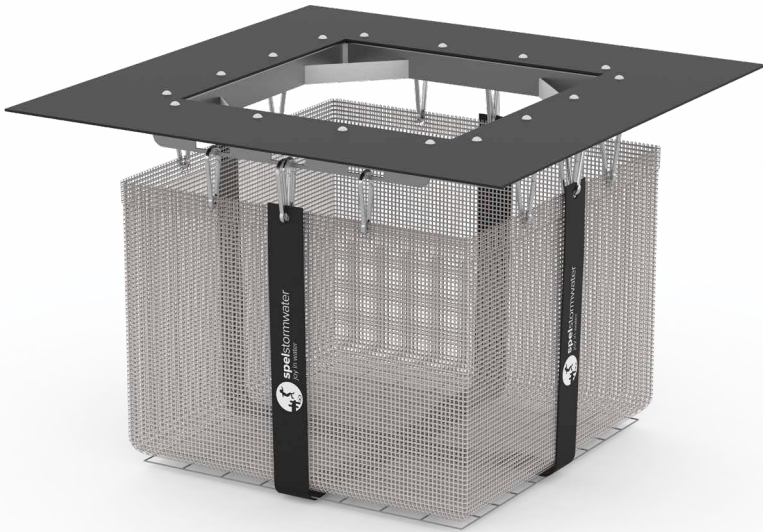
SPEL Stormsack

At Source Gross Pollutant Trap



spelstormwater
joy in water

spel.co.nz



APPLICATIONS

- Council storm drain retrofits
- Commercial / retail / residential
- Litter prone urban areas
- Scrap metal / solid waste / oil storage
- Part of treatment train
- Construction sediment / erosion
- <200 micron capture



BENEFITS

- Can be modelled in MUSIC in conjunction with bio-retention
- Low cost gross pollutant capture
- Quick & easy installation
- Simple maintenance
- At source capture
- Adjusts to custom pit sizes

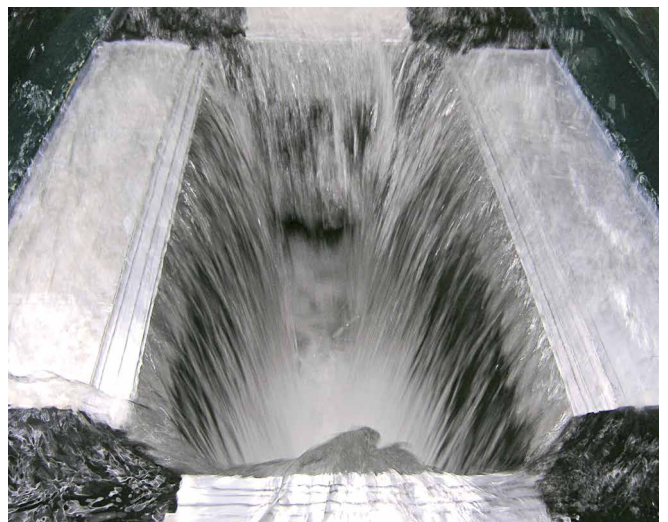
The SPEL Stormsack is specifically designed for the capture of gross pollutants: sediment, litter, and oil and grease. Ideally suited for storm drain retrofits, the SPEL Stormsack's unique design allows maintenance to be performed using conventional vacuum suction equipment.

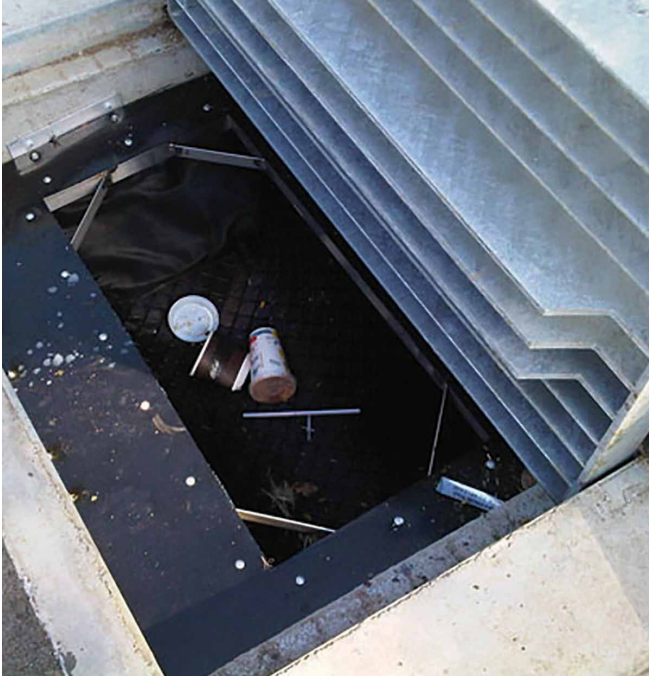
SPEL Stormsack filtration solutions are highly engineered water quality devices that are deployed directly in the stormwater system to capture contaminants close the surface for ease of maintenance. Easily retrofitted into new or existing structures, SPEL Stormsack filtration technology is a decentralized approach to stormwater treatment that essentially repurposes traditional site infrastructure and customizes it to meet specific site water quality goals. In this way, it satisfies important objectives of today's LID (Low Impact Development) criteria.

From an operations perspective, catch basins with SPEL Stormsack filters are also easier and quicker to clean out because pollutants are trapped just under the grate.

The SPEL Stormsack was introduced to the Australian market in 2012 and field testing is underway at several locations in South-east Queensland. Laboratory testing has shown capture of 99.99% of gross pollutants up to the bypass flow rate.* Further results will be provided as they become available.

Recommended minimum clearance from bottom of SPEL Stormsack to inside bottom of vault is 50mm. Typical frame adjustability range of 127mm in each direction.





HOW IT WORKS

This technology is a post developed stormwater treatment system. The SPEL Stormsack provides effective filtration of solid pollutants and debris typical of urban runoff, while utilising the existing or new storm drain infrastructure. The Stormsack is designed to rest on the flanges of conventional catch basin frames and is engineered for most hydraulic and cold climate conditions.

Installation procedures shall include removing the storm grate, cleaning the ledge of debris and solids, measuring catch basin clear opening and adjusting flanges to rest on grate support ledge. Install SPEL Stormsack with splash guard under curb opening so the adjustable flanges are resting on the grate support ledge. Install corner filler pieces. Reinstall storm grate directly on support flanges rise shall be no more than 3mm.

Maintenance: Typically the SPEL Stormsack is serviceable from the street level, and therefore maintenance does not require confined space entry into the catch basin structure. The unit is designed to be maintained in place with a vacuum hose attached to a sweeper or a vactor truck. Use only SPEL replaceable parts.

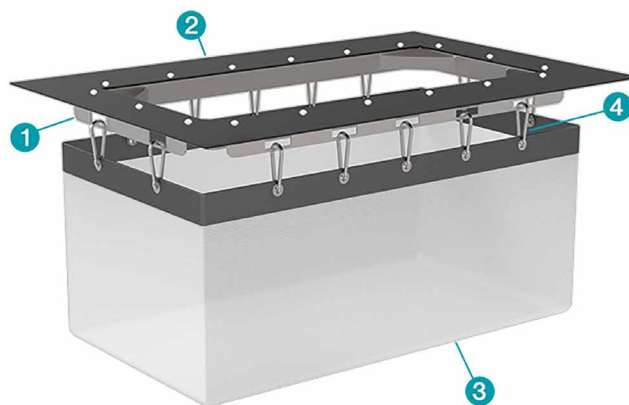
FEATURES

Pollutant	Efficiency
Gross Pollutants (GP)	100%
Total Suspended Solids (TSS)	61%
Total Phosphorus (TP)	28%
Total Nitrogen (TN)	45%

*Contact Spel to confirm approved performance for the project LGA

Application	Regulatory Issue	Target Pollutants
Council Storm Drain Retrofits	At-source litter capture	Sediment, Litter, O&G
Commercial/Retail/Residential	Stormwater Compliance	Sediment, Litter, O&G
Litter Prone Urban Areas	Cost effective litter control	Litter ≥ 5 mm
Scrap Metal/Solid Waste/Oil Storage/Etc	Industrial Multi-Sector General Permit	Gross Pollutants, O&G
Part of Treatment Train	Council Stormwater Quality Improvement Targets	Sediment, Litter, O&G
Construction Sediment/Erosion	Sediment Control Plan	Sediment/Erosion Control

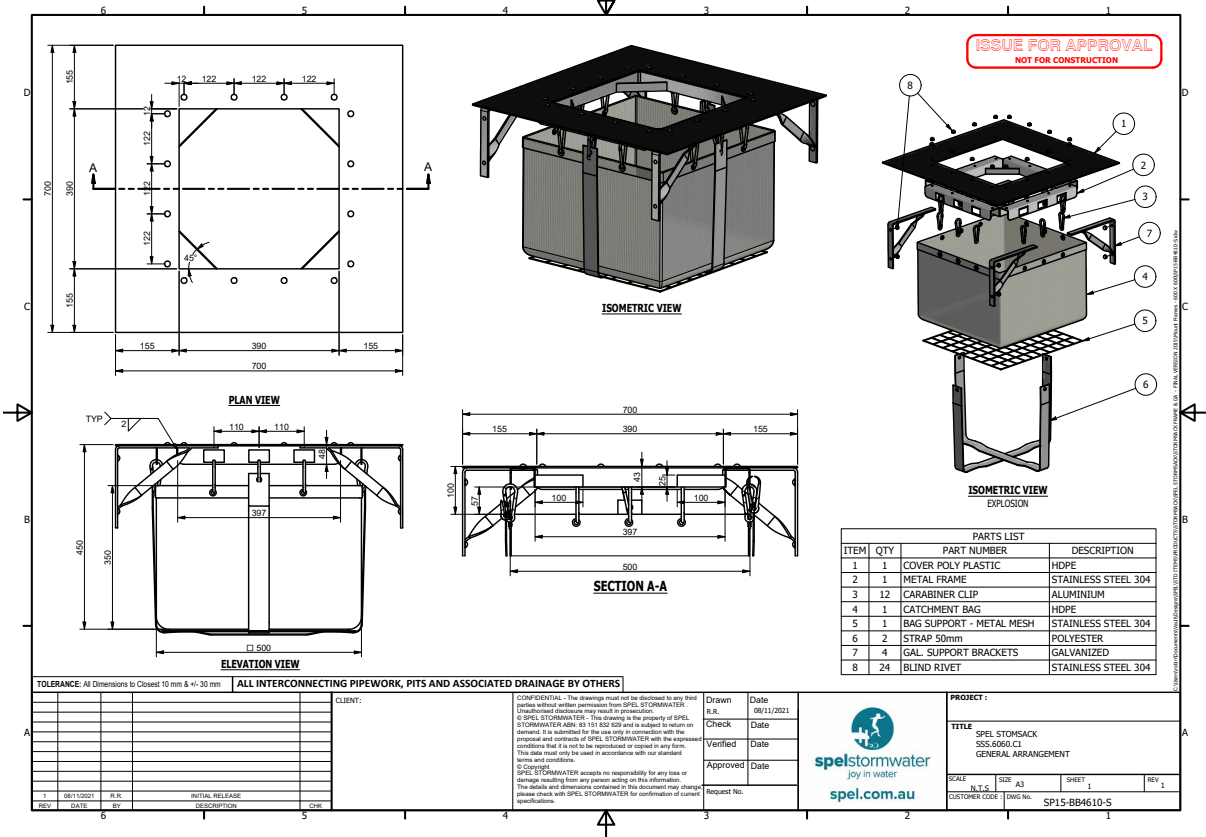
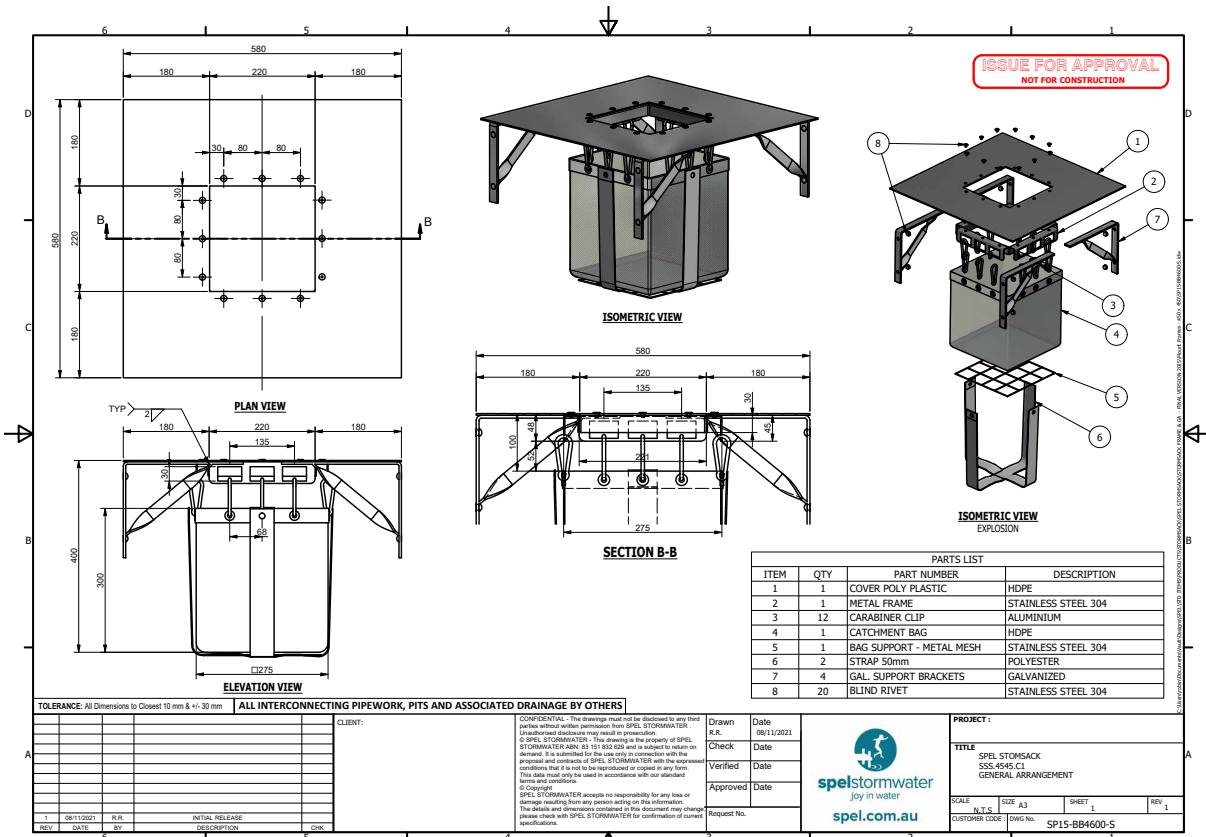
Features	
1.	1. Ultra-Durable Aluminium Frame <ul style="list-style-type: none"> Available in 450x450mm, 600x600mm, 600x900mm and 900x900mm sizes Custom pit arrangements upon request
2.	Black Poly Surround riveted to Frame <ul style="list-style-type: none"> Can be cut to suit on site
3.	Reinforced Stormsack Bag <ul style="list-style-type: none"> Bag has sewed eyelets Square bottom design for even distribution
4.	Karabiners attach Bag to Frame for easy service & replacement
5.	Aluminium Support Angles & Fixings



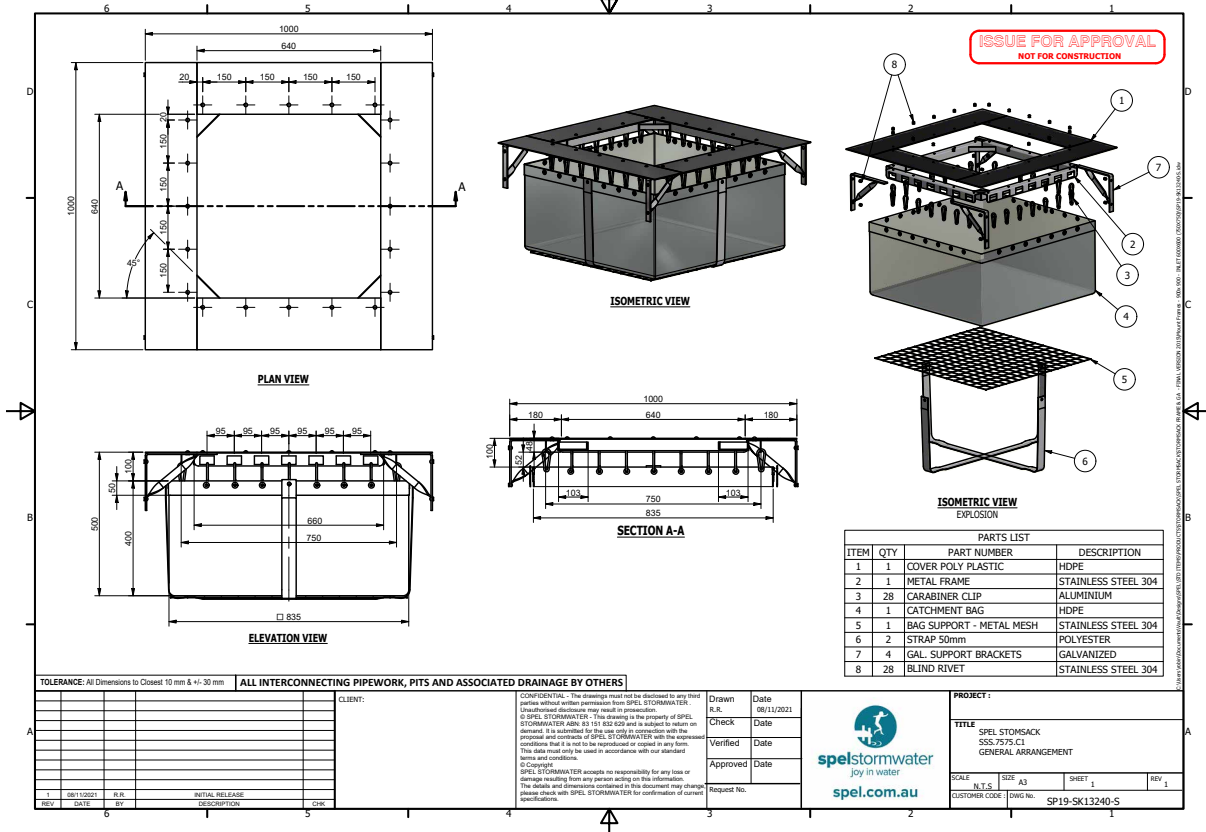
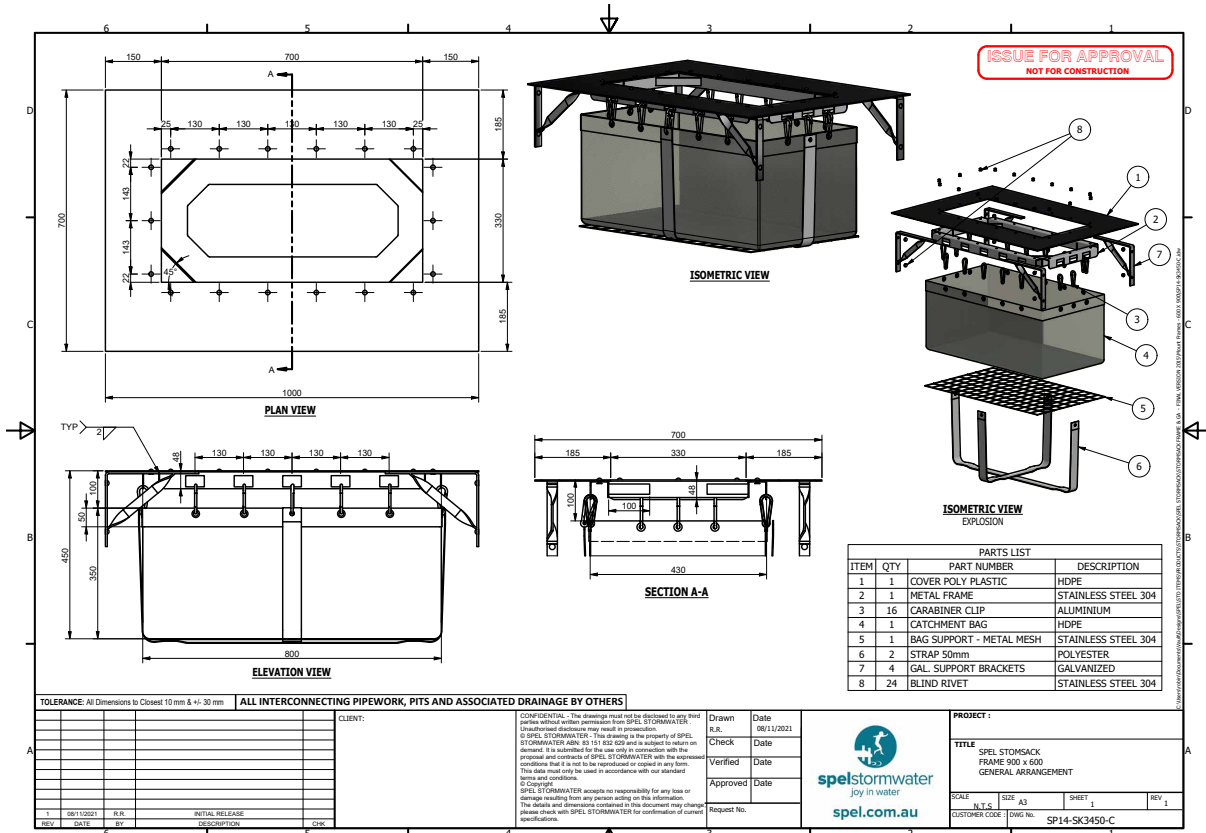
Standard SPEL Stormsack to suit Pit Sizes
450x450mm
600x600mm
900x600mm
900x900mm

Custom sizes (i.e. 1200x900mm) can be manufactured on short lead times

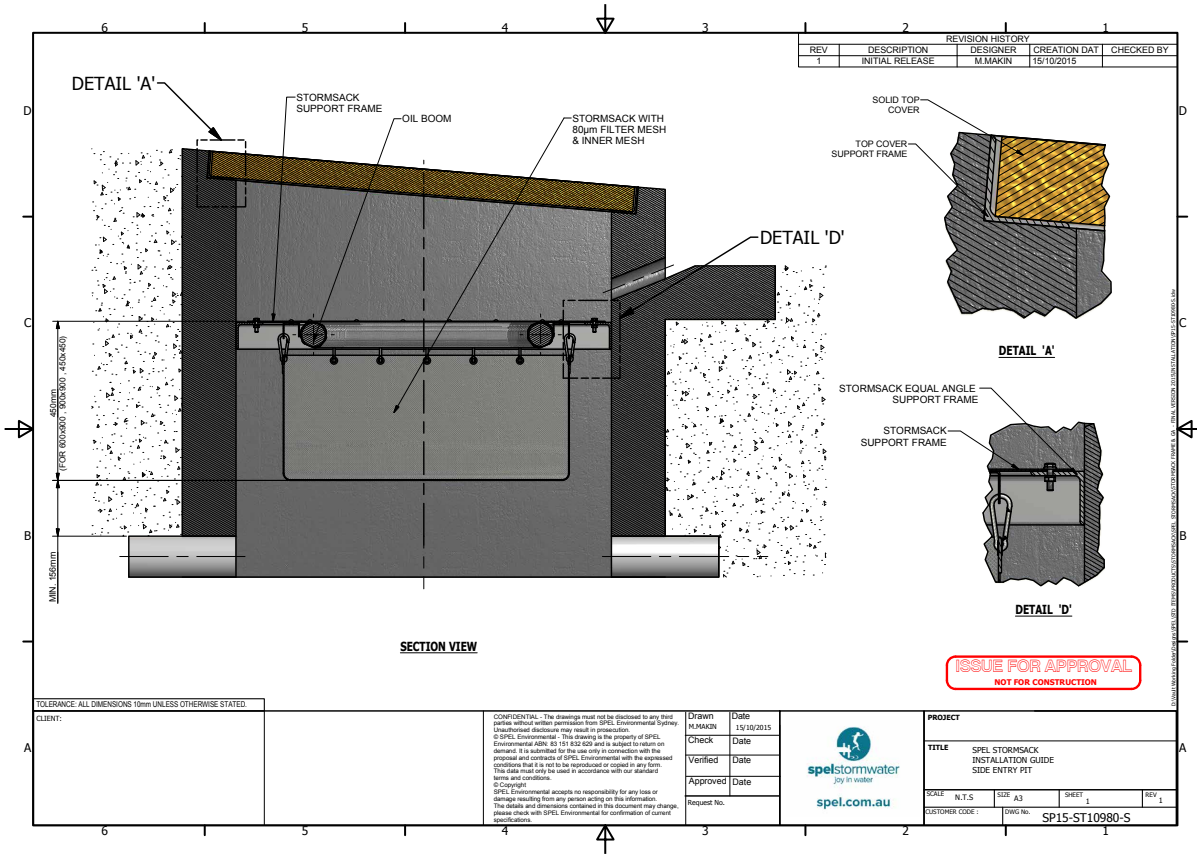
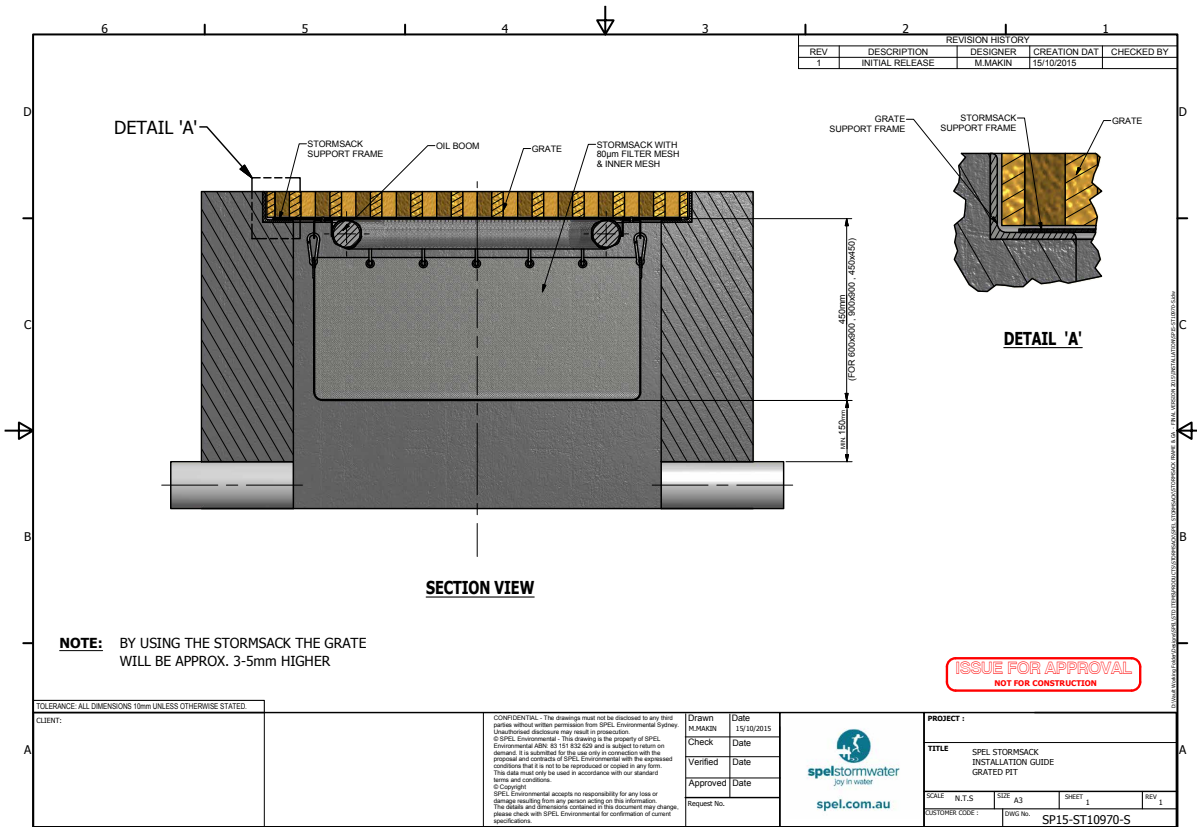
TECHNICAL DRAWINGS



TECHNICAL DRAWINGS



INSTALLATION DETAILS

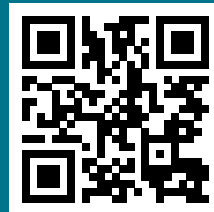


SPEL Stormsack

At Source Gross Pollutant Trap

<p>NSW HEAD OFFICE 100 Silverwater Rd, Silverwater NSW 2128 PO Box 7138, Silverwater NSW 1811 P: +61 2 8705 0255 P: 1300 773 500 E: nsw.sales@spel.com.au</p>	<p>QLD MAIN OFFICE 130 Sandstone Pl, Parkinson QLD 4115 P: +61 7 3271 6960 P: 1300 773 500 E: qld.sales@spel.com.au</p> <p>QLD SUNSHINE COAST BRANCH 19-27 Fred Chaplin Circuit, Bells Creek, QLD 4551 P: 1300 773 500 E: qld.sales@spel.com.au</p>	<p>VIC & TAS OFFICE 897 Wellington Rd Rowville VIC 3178 P: +61 3 5274 1336 P: 1800 810 139 E: sales@spel.com.au</p> <p>VIC GEELONG BRANCH 70 Technology Close, Corio, P: +61 3 5274 1336 P: 1800 810 139 E: sales@spel.com.au</p>
<p>SA OFFICE 9 Hampden Road, Mount Barker SA 5251 P: 1300 773 500 E: sales@spel.com.au</p>	<p>WA OFFICE 2 Modal Crescent Canning Vale WA 6155 P: +61 8 9350 1000 P: 1800 335 550 E: sales@spel.com.au</p>	<p>NZ OFFICE AUCKLAND 100 Montgomerie Road Airport Oaks P: +64 9 276 9045 E: sales@spel.co.nz</p>
<p>NZ OFFICE WANGANUI 43 Heads Road Wanganu New Zealand P: +64 6 349 0088 E: sales@spel.co.nz</p>	<p>NZ OFFICE WELLINGTON 41 Raiha St Porirua Wellington New Zealand P: +64 4 239 6006 E: sales@spel.co.nz</p>	<p>PHILIPPINES OFFICE METRO MANILA Unit 2210 Lumiere Residences Pasig Boulevard, Pasig City P: +61 2 8705 0255 P: 1300 773 500 E: sales@spel.com.au</p>
<p>SINGAPORE OFFICE 512 Chai Chee Lane, #06-04 Bedok Industrial Estate, Singapore 469028 P: +61 2 8705 0255 P: 1300 773 500 E: sales@spel.com.au</p>	<p>UK OFFICE UNITED KINGDOM Lancaster Rd Shrewsbury SY1 3NQ UK P: +44 (0)1743 445200 E: sales@spel.com.au</p>	<p>USA OFFICE CLEVELAND 4548 Industrial Parkway Cleveland, Ohio 44135 P: +61 2 8705 0255 P: 1300 773 500 E: sales@spel.com.au</p>

We believe clean water is a right not a privilege and we work to ensure a joy in water experience for you with your children and grandchildren.



spelstormwater
joy in water

100 Montgomerie Road, Airport Oaks, Auckland New Zealand
Phone: 09 930 7417
Email: sales@spel.co.nz

[spel.co.nz](https://www.spel.co.nz)

SPEL Stormwater accepts no responsibility for any loss or damage resulting from any person acting on this information. The details and dimensions contained in this document may change, please check with SPEL Stormwater for confirmation of current specifications.